



Joints & Terminations



M-Seal Kastex Cable Accessories for Low Voltage PVC / PILC / XLPE Cables have been designed for simplicity in installation and a prolonged service life.

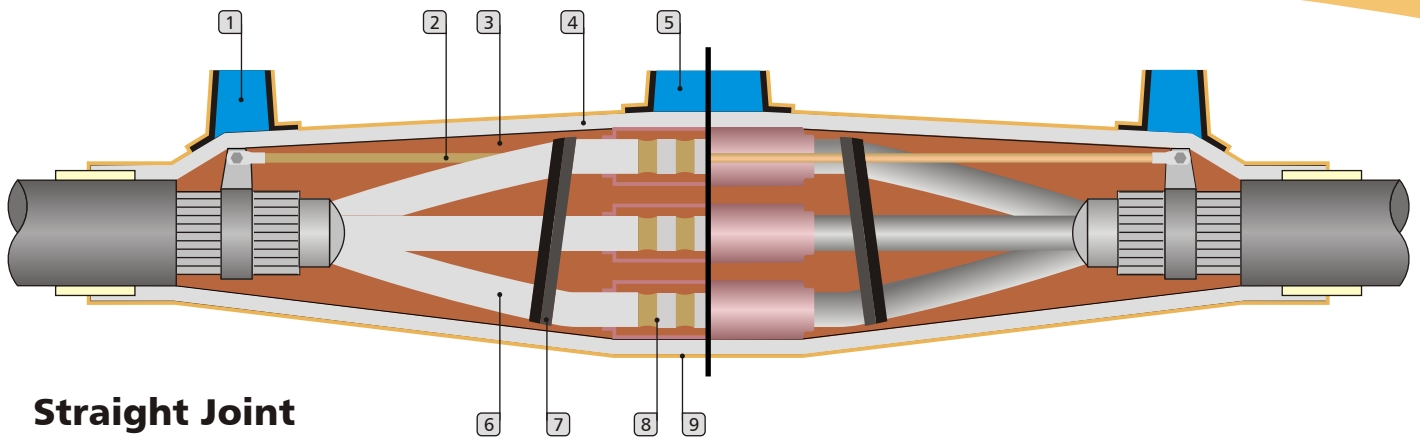
M-Seal Kastex joints and terminations for LV Cables are based on a cast resin system. The casting resin is polyurethane based which has complete compatibility with the cable components. The cast resin system provides the electrical insulation, mechanical protection and moisture imperviousness to the joint. These joints are designed for compression connection, mechanical connectors or soldering of cable conductors. However, M-Seal Kastex LV joints and terminations can be tailor made to suit the technical requirements of different utilities.

The terminations are also designed for easy installation and have a crutch sealing arrangement for environmental protection of the core trifurcation. The sealing arrangement is also based on a cast resin system.

M-Seal Kastex Joints are available in the following types.

1. Straight Through Joints
2. Pot Ends
3. Tee Off Joints
4. Breach Joints
5. Indoor/Outdoor Terminations.

- Very simple & easy to install
- Provide proper mechanical protection
- Provide proper moisture imperviousness
- Can be provided with crimping ferrules or mechanical connectors
- Tee Joints also available with Soldering / Crimping & mechanical connector

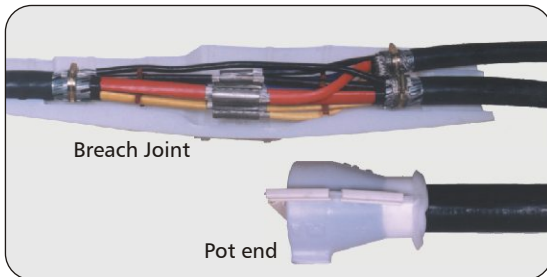


Straight Joint

- 1 Riser
- 2 Earth Continuity Connection
- 3 C. J. Compound
- 4 Plastinet
- 5 Pouring Gate
- 6 Core Insulation
- 7 PVC (NA) Tape
- 8 Ferrule
- 9 BOPP Tape Two Layers each half overlapped over Plastinet.



Tee Joint

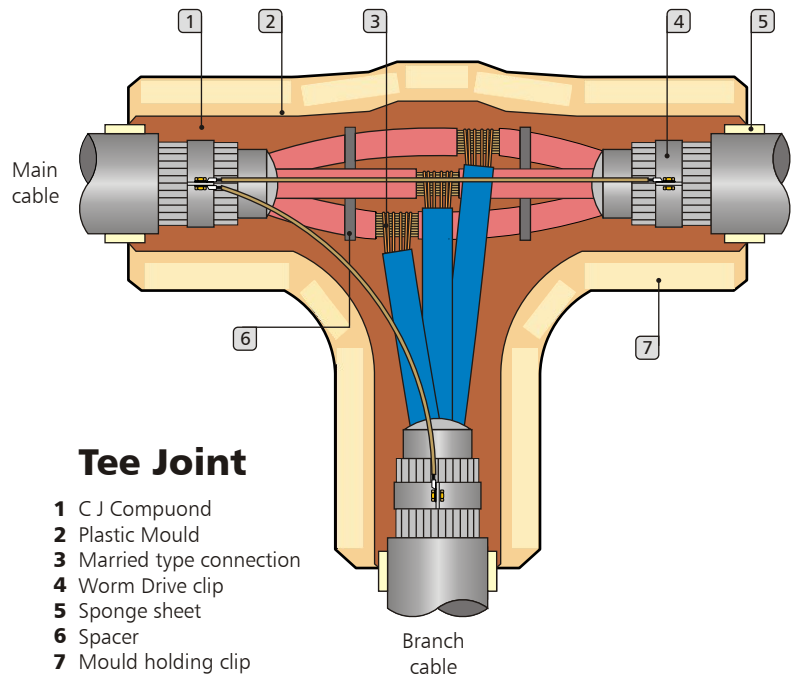


Breach Joint

Pot end



Indoor / Outdoor Termination



Tee Joint

- 1 C J Compound
- 2 Plastic Mould
- 3 Married type connection
- 4 Worm Drive clip
- 5 Sponge sheet
- 6 Spacer
- 7 Mould holding clip

Meets following requirements

Test	Parameter	Result
Insulation Resistance Mega Ohms	Phase to Earth	≥ 1000
Impact visible Damage	4Kg wedge dropped 6 times from 2 mtr height	No
AC High Voltage breakdown or flashover	3kV for 5 Min	No
Load Cycling breakdown or flashover	63 cycles, 5Hr heating, 3Hr cooling with cond. temp as per cable specification	No

Type Tested as per C-81 Standard Specifications

Important Notice

Before using this product, you must evaluate it and determine if it is suitable for your intended application. You assume all risks and liability associated with such use.

Warranty; Limited Remedy; Limited Liability.

This product will be free from defects in material and manufacture at the time of purchase. **3M MAKES NO OTHER WARRANTIES**



Electrical Markets Division
 Concorde Block, UB City,
 24, Vittal Mallya Road,
 Bangalore - 560 001.
 Ph: 080 - 2223 1414
 Fax: 080 - 22232373

INCLUDING, BUT NOT LIMITED TO, ANY IMPLIED WARRANTY OF MERCHANTABILITY OR FITNESS FOR A PARTICULAR PURPOSE. If this product is defective within the warranty period stated above, your exclusive remedy shall be, at 3M's option, to replace or repair the 3M product or refund the purchase price of the 3M product. **Except where prohibited by law, 3M will not be liable for any indirect, special, incidental or consequential loss or damage arising from this 3M product, regardless of the legal theory asserted.**

Website :

www.3m.com/electrical
www.3m.com/in